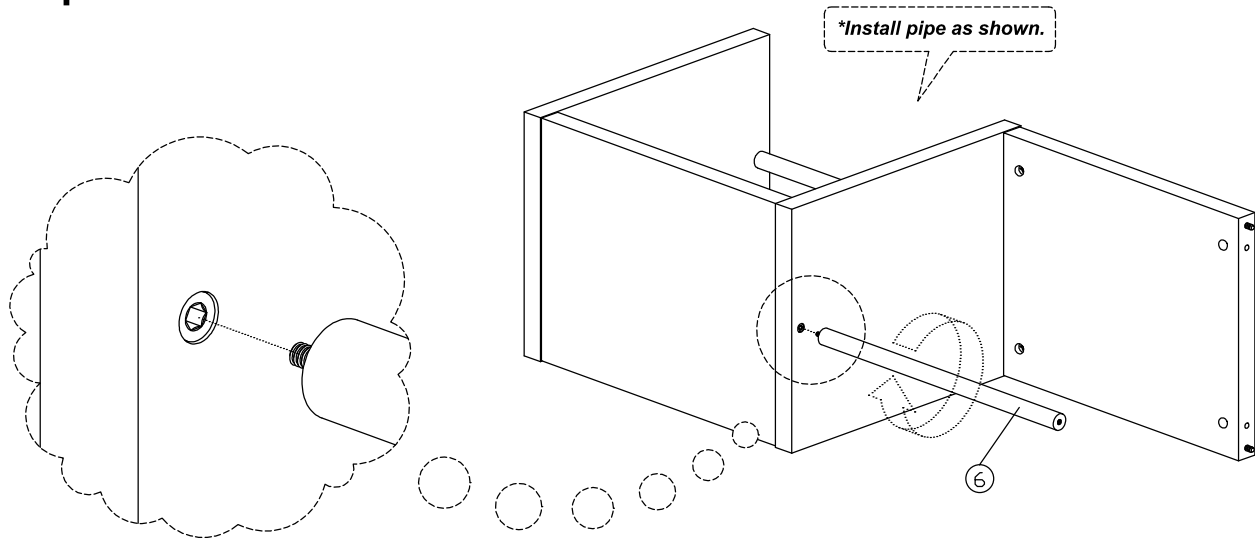


# Assembly Instruction

## Step 7



## Step 8

